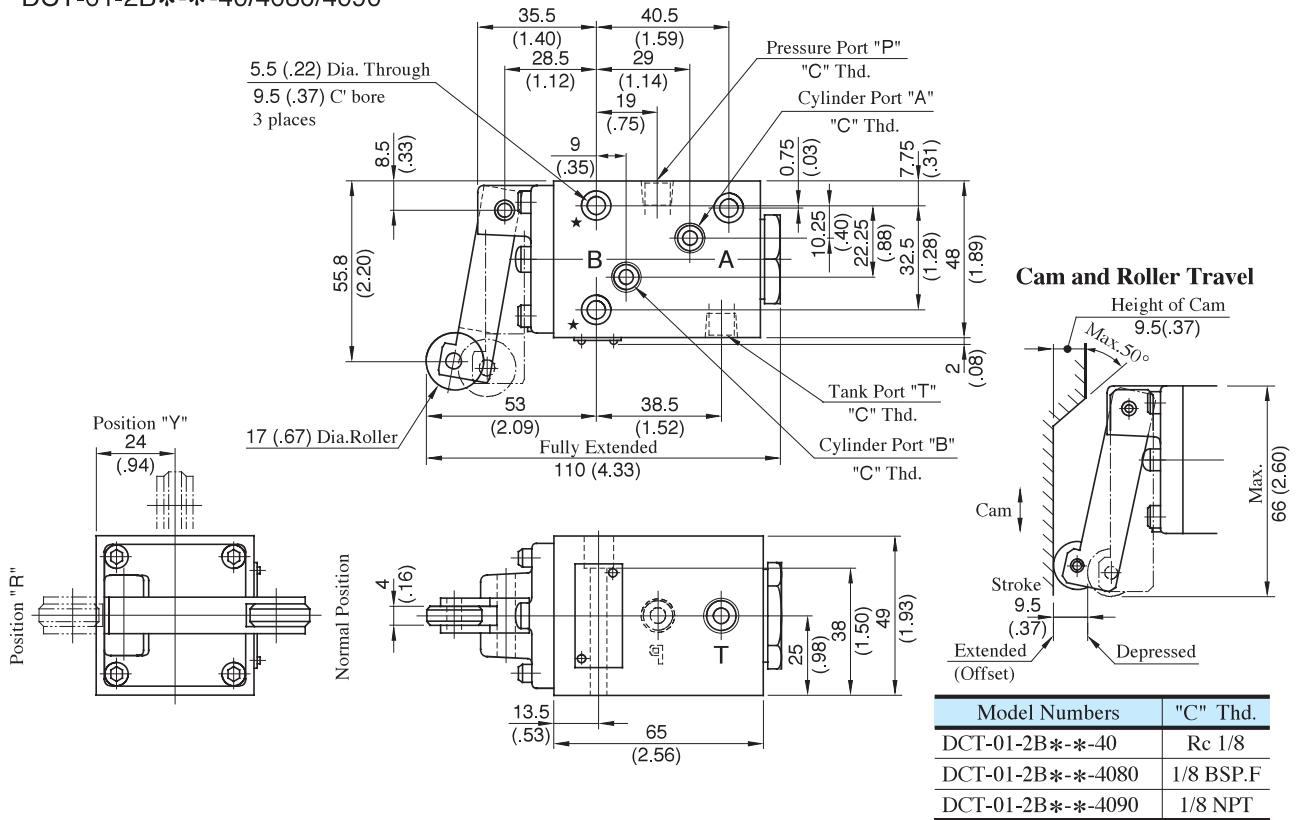


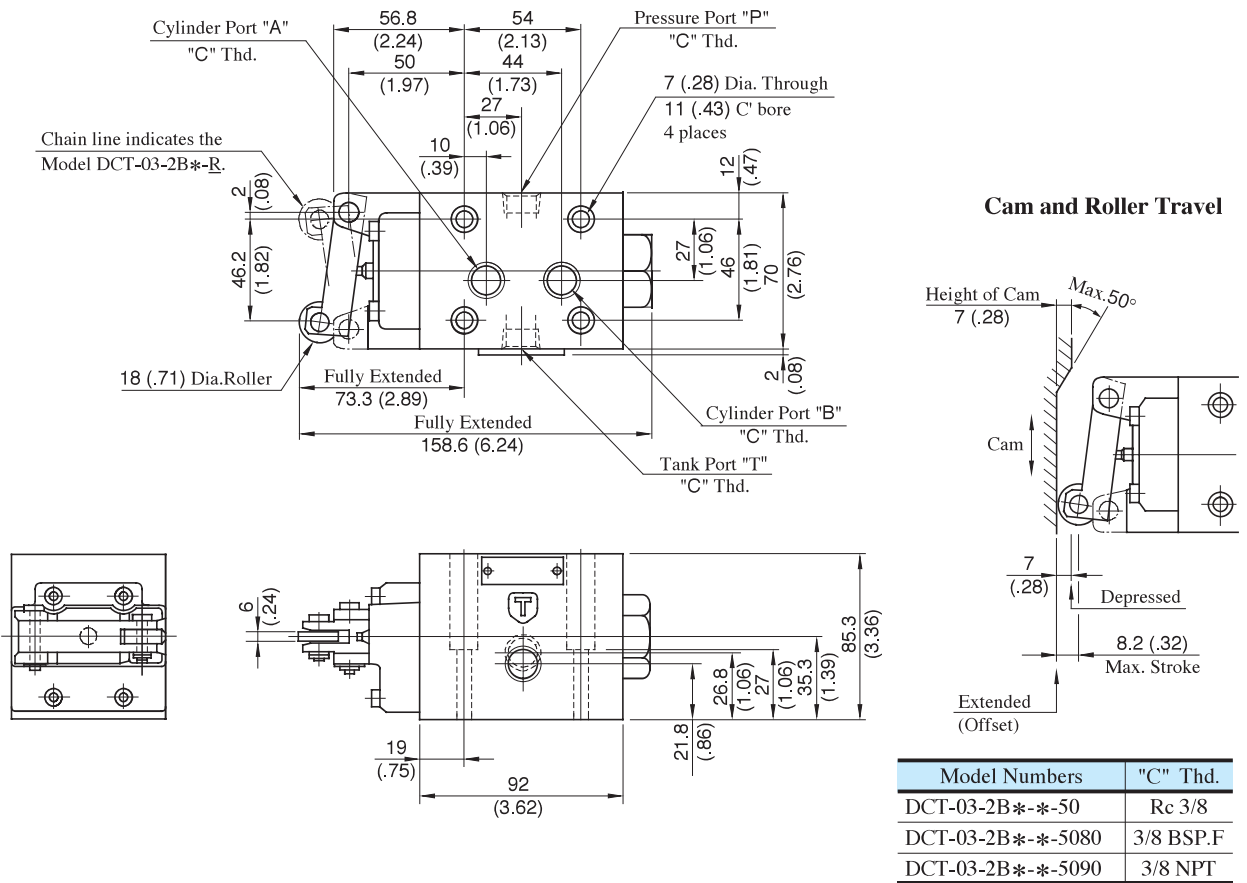
DCT-01-2B*-*-40/4080/4090



Note: When mounting the valve, be sure to use two mounting holes marked with ★.

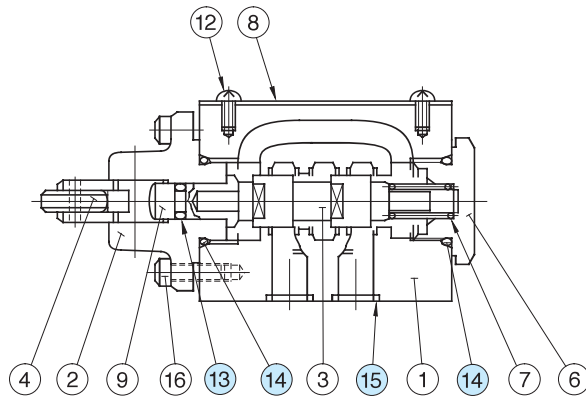
DIMENSIONS IN MILLIMETRES (INCHES)

DCT-03-2B*-*-50/5080/5090



■ List of Seals

DCT-01-2B*- *-40/4080/4090
 DCG-01-2B*- *-40/4090



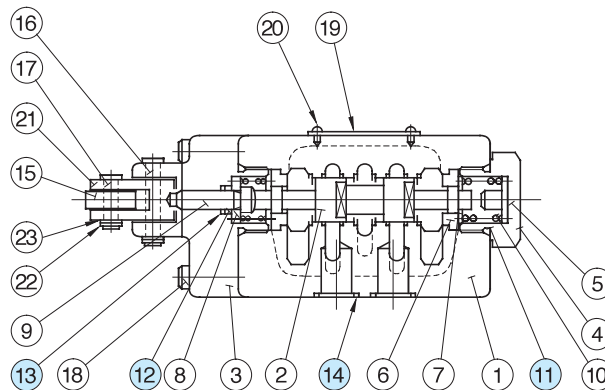
● List of Seal Kit No.

Item	Name of Parts	Part Numbers	Quantity	
			DCT-01	DCG-01
13	O-Ring	SO-NA-P5	1	1
14	O-Ring	SO-NB-P18	2	2
15	O-Ring	SO-NB-P9	0	4

Valve Mdel Numbers	Seal Kit Numbers
DCT-01-2B*- *-40/4080/4090	KS-DCT-01-40
DCG-01-2B*- *-40/4090	KS-DCG-01-40

Note: When ordering the o-rings, please specify the seal kit number from the table right.

DCT-03-2B*- *-50/5080/5090
 DCG-03-2B*- *-50/5090



● List of Seal Kit No.

Item	Name of Parts	Part Numbers	Quantity	
			DCT-03	DCG-03
11	O-Ring	SO-NB-P21	2	2
12	O-Ring	SO-NA-P6	1	1
13	Back Up Ring	SO-BE-P6	1	1
14	O-Ring	SO-NB-A014	0	5

Valve Mdel Numbers	Seal Kit Numbers
DCT-03-2B*- *-50/5080/5090	KS-DCT-03-50
DCG-03-2B*- *-50/5090	KS-DCG-03-50

Note: When ordering the seals, please specify the seal kit number from the table right.