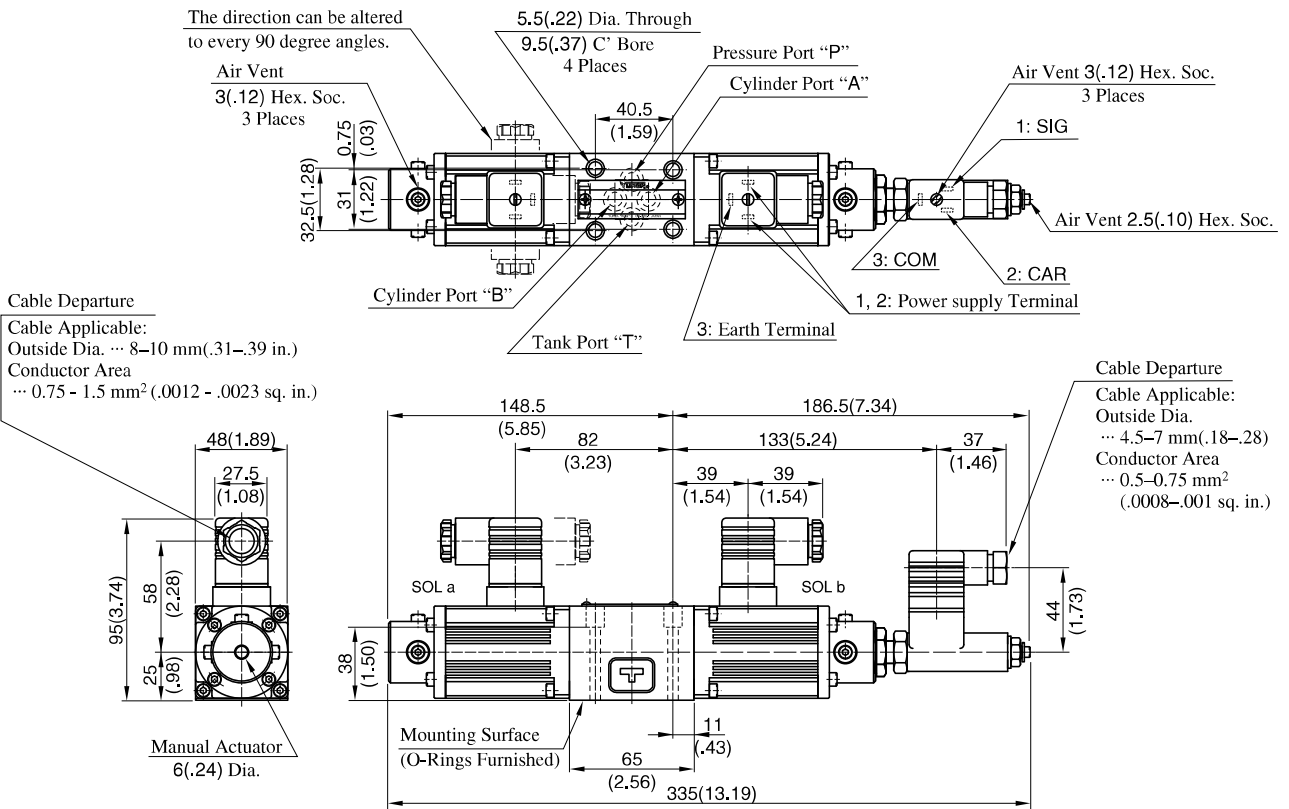


**ELDFG-01-\*\*-XY-10/1090**

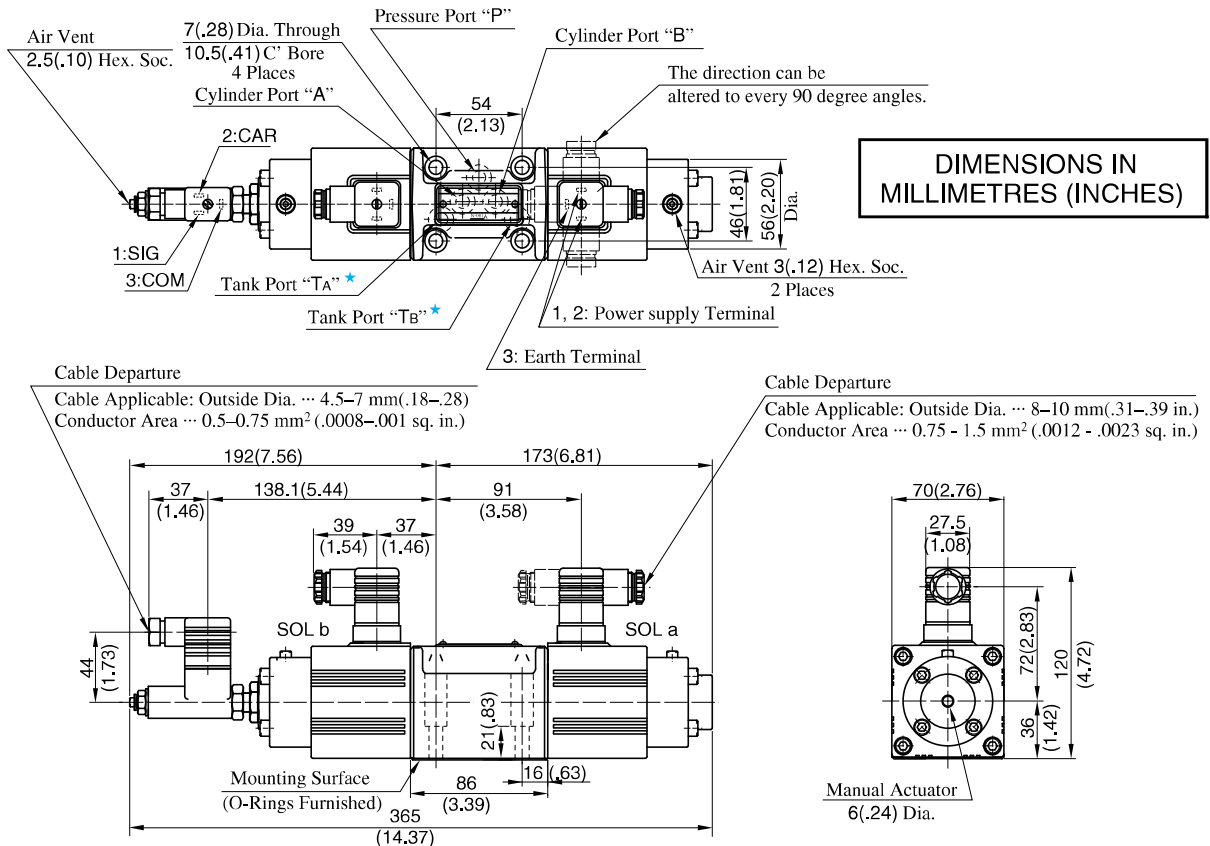
Mounting surface: Conform to ISO4401-AB-03-4-A.



Note: For valve mounting surface dimensions, see the dimensional drawings of sub-plates (p.356) in common use.

**ELDFG-03-\*\*-XY-10/1090**

Mounting surface: Conform to ISO4401-AC-05-4-A.



Note: For valve mounting surface dimensions, see the dimensional drawings of sub-plates (p.373) in common use.

**H**

**E Series**  
Direct Operated Type Directional and Flow Control Valves